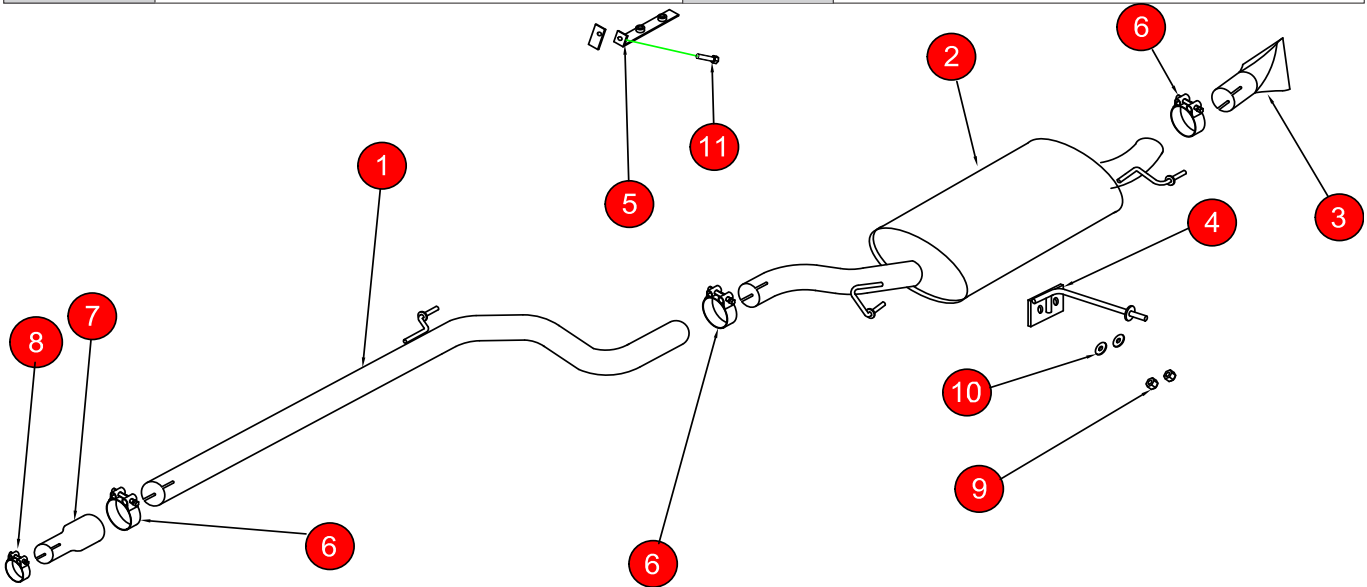


CAR	Vauxhall Corsa D VXR 1.6T	PART NO.	SVXS054
YEAR	07-13	FIT KITS	084FK
NOTES	Where not supplied use original fittings.	FEATURES	Pipe diameter:- 76mm/3"



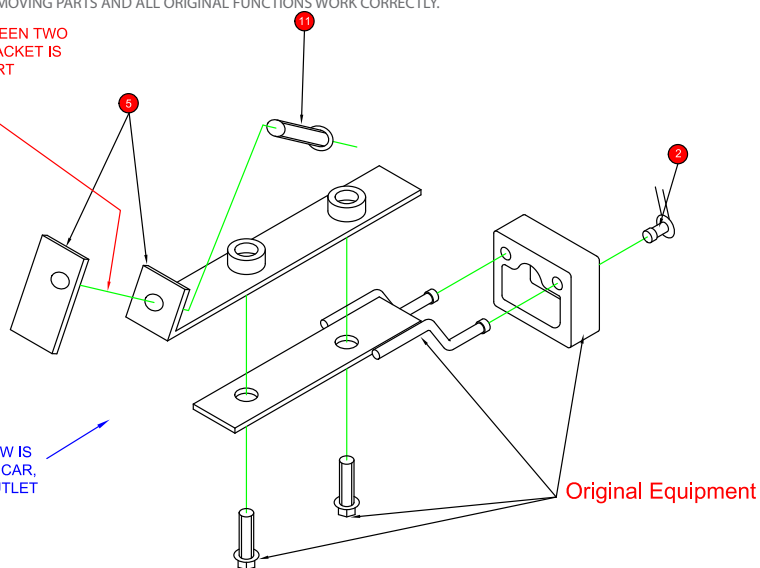
NO.	PART NO.	DESCRIPTION	QTY
1	765GM	Centre No Silencer	1
2	766GM	Rear Silencer	1
3	Z043.10160	Tail Pipe	1
4	773GM	Mounting Bracket	1
Fit Kit			
5	724GM	Bumper Support	1
6	Z016.10062	79mm H/D Clamp	3
7	AD46	Adaptor	1
8	Z016.10001	59-63mm Clamp	1
9	Z017.10062	M8 Nyloc nut	2
10	Z017.10831	M8x17mm Washer BZP	2
11	Z017.10043	M8x16mm Bolt	1

E-MARK	N/A
DATE	26/09/19
ISSUE	05
AUTHORISED	D.Marshall

NOTE: ENSURE SCORPION SYSTEM IS CLEAR OF MOVING PARTS AND ALL ORIGINAL FUNCTIONS WORK CORRECTLY.

NOTE : SANDWICHED BETWEEN TWO HALVES OF SCORPION BRACKET IS OE BUMPER SUPPORT

VIEW ON ARROW IS FROM REAR OF CAR, AT EXHAUST OUTLET



Checked By _____

BIKE	Vauxhall Corsa D VXR 1.6T	PART NO.	SVXS054
YEAR	07-13	FIT KITS	084FK
NOTES	Where not supplied use original fittings.	FEATURES	Pipe diameter:- 76mm/3"

CONTINUED FROM OVERLEAF:



NOTE: Before fitting the Scorpion system the rear mounting point needs re-locating

A) Line the straight part of the bracket behind the crash bar so the hole on the bracket is inline with the hole on the crash bar to the drivers side of the trim.

B) Using the bolt provided fasten the other part of the bracket to this trapping the crash bar between them. Ensure the hank bushes are facing upwards.

C) Once the bracket is secure fasten the original mounting point to this using the original bolt. This mounting point can now be used to hold the rear silencer when fitting this exhaust.

